

Home

About Us

Products

News & Events

Distributors

Contact Us

▼ Slit Lamp Microscopes

700GL Slitlamp

2ZL Slitlamp

300XL Slitlamp

▶ 30GL Slitlamp

4ZL Slitlamp

Related Products

▼ Imaging Systems

TD-10 (Digital)

TD-2 (Digital)

SONY Imaging

▼ Optional Extras

AT-1

▼ Ophthalmic Furniture

ST-80

ST-40

Slit Lamp Microscopes - 30GL Slitlamp

Serving your vision



A Masterpiece Greenough-type Slit Lamp



Design

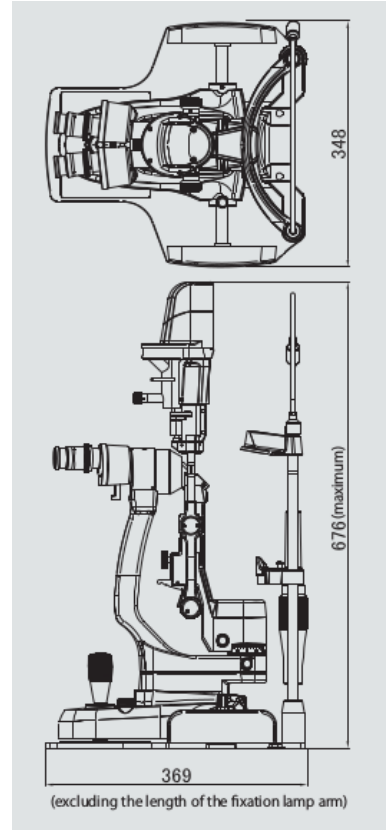
High-grade Slit Lamp without a cable

- Innovative Design: No cables are exposed. Even the power supply cable is concealed.
- Conventional power cable from the chinrest to the light housing has been eliminated - now neatly concealed inside the slit lamp body.
- 30GL looks neat and compact with no exposed cables, giving a sleek look with an innovative design.
- New product color


Major Specifications

Microscope	Type	Greenough type stereoscopic binocular microscope
	Magnification changer	Two position revolving objective
	Eyepieces	10x, 16x
	Total magnifications	10x, 16x, 25x (25x when 16x eyepieces are in use)
	Real fields of view	Φ18, Φ11.25mm (when 10x eyepieces are in use) Φ15, Φ9.3mm (when 16x eyepieces are in use)
	Interpupillary adjustment	52mm-82mm
Cross-Slide Base	Horizontal (coarse) movement	105mm
	Horizontal (fine) movement	15mm
	Vertical movement	+/- 15mm
Chinrest Unit	Elevation stroke	95mm
Illumination Unit	Slit width	0-14mm continuously variable
	Aperture diaphragm (diameter)	Φ14, Φ10, Φ5, Φ3, Φ2, Φ1, Φ0.2mm
	Filters	Blue filter, Red free filter, Blue correction filter, Yellow filter
Power Unit	Light source	LED
	Power supply	AC100V - 240V (+/- 10%)
Fixation Light Unit	Power consumption	DC5V 2A
	Fixation light source	Red LED
Weight		12.5Kg

Dimensions



LED

New LED Optimized Slit Lamp

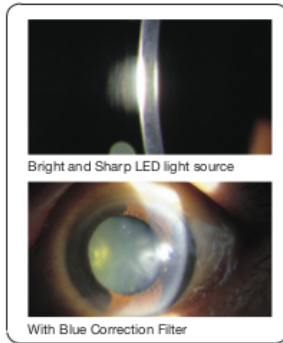
- One of the best advantages of LED illumination is that affected anatomy and structures of the eye can now be more clearly and visibly seen because the peak wavelength of LED light appears in the region which is more sensitive to the human eye.
- We haven't simply replaced the halogen light source with an LED type, 30GL has been designed and engineered from scratch to accommodate the new superior LED lamp.
- LED optimized 30GL provides brighter and sharper light.

Use of Uniform LED Illumination

- The LED slit lamp with a color temperature of 3500 K provides brighter and sharper light than halogen.
- A 1-element high-luminance LED is used for 30GL providing a uniform and even light compared to multiple element LED's.

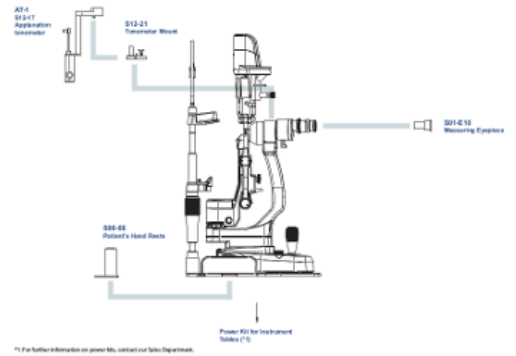
Reduction of the Characteristic Blue Light of LED

- The projected light is soft and easy on patients' eyes by reducing the peak of the characteristic blue band spectrum of LED.



* The above images were taken through another model slit lamp with the same light source.

Optional Components



click image above for larger view

Optical Design

High-performance Greenough Microscope

- The convergent binocular tubes ensure easy fusion and stress-free observation.

Extended Slit Length

- The diameter of the slit length is extended to 14mm from 10mm. This allows 30GL to illuminate a wider area of the anterior segment.

Magnification Changer

- 30GL is fully equipped with a 2-step magnification changer that offers 10x and 16x powers; magnification can be easily changed with the magnification change lever. With the use of 16x eyepieces, total magnification can be increased up to 25x.



Usability and Ergonomics Tailored for You

Improvement of Usability

- The size, placement and other features of various controls are reconsidered based on ergonomics in order to enhance usability.

Various Options

- Patient's hand rests, Applanation tonometer, and optional eyepieces for 30GL are available according to users' requirements and application.



[Click Here to contact us about this product](#)